



Fastener
Solutions

Hook Fastener Marketing Specifications

For the following part numbers:

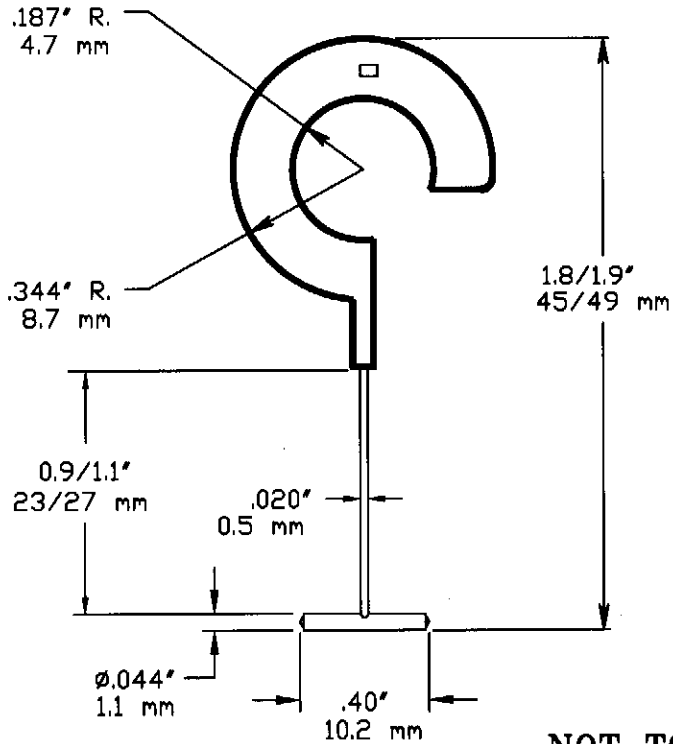
08901-2

08902-2

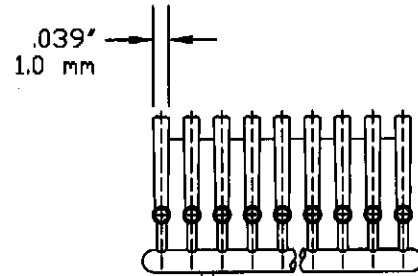
08903-2

November 26, 2018

AVERY DENNISON MARKETING SPECIFICATION



TOLERANCES: IN. = $\pm .030$ in
MM = ± 0.7 mm



NOT TO SCALE

NOMINAL TENSILE STRENGTH:	3/5 LBSF.
MATERIAL:	POLYPROPYLENE - NATURAL
CLIP QUANTITY:	50
APPLICATION TOOL:	08945 STANDARD SCISSOR-GRIP MARK II HAND TOOL (CONTACT LOCAL SALES PERSON FOR INFORMATION ON POWERED EQUIPMENT)
PACKAGED IN:	5000/CTN, 50,000/CASE
T/F CONN PADDLES:	YES



FASTENER DIVISION
FITCHBURG, MA 01420 U.S.A.
TEL. 1-800-225-5913
MA. 978-353-8157

DESCRIPTION:

1" (25mm) SWIFTACH[®], GP HOOKS

APPROVAL:

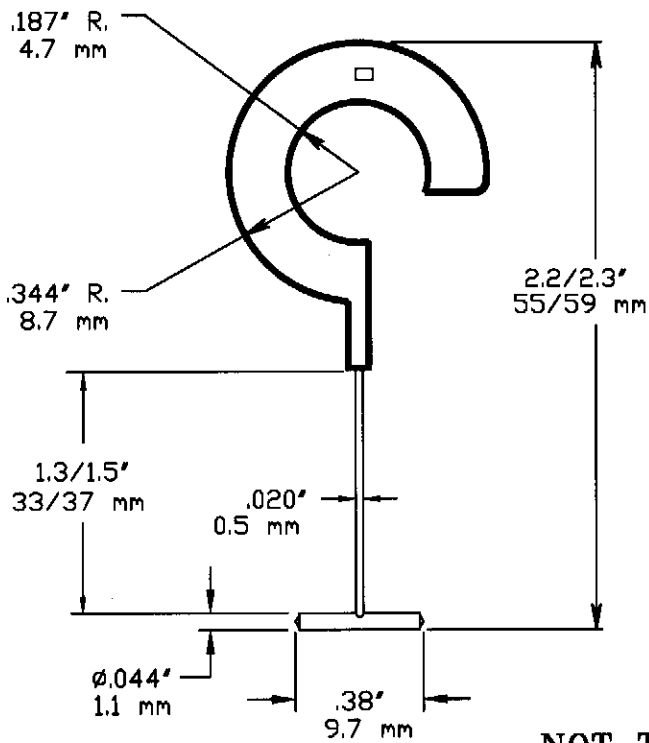
E. J. ... 3-3-09

STOCK NO.

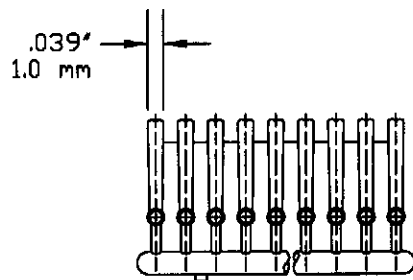
08901-2

REV
B

AVERY DENNISON MARKETING SPECIFICATION



TOLERANCES: IN. = \pm .030 In
 MM = \pm 0.7 mm



NOT TO SCALE

NOMINAL TENSILE STRENGTH:	3/5 LBSF.
MATERIAL:	POLYPROPYLENE - NATURAL
CLIP QUANTITY:	50
APPLICATION TOOL:	08945 STANDARD SCISSOR-GRIP MARK II HAND TOOL (CONTACT LOCAL SALES PERSON FOR INFORMATION ON POWERED EQUIPMENT)
PACKAGED IN:	5000/CTN, 50,000/CASE
T/F CONN PADDLES	YES



FASTENER DIVISION
 FITCHBURG, MA 01420 U.S.A.
 TEL. 1-800-225-5913
 MA. 978-353-8157

DESCRIPTION:

1.38" (35mm) SWIFTACH[®], GP HOOKS

APPROVAL:

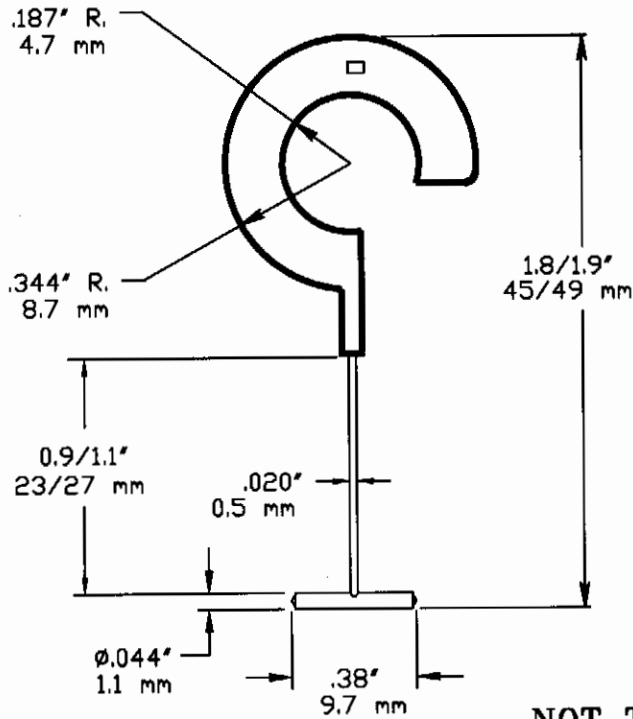
Ede M 3-3-09

STOCK NO.

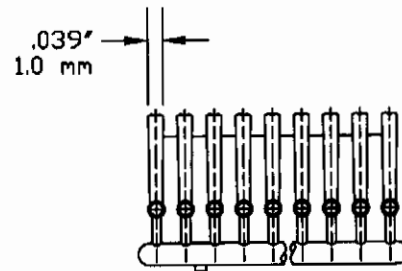
08902-2

REV
 B

EVERY DENNISON MARKETING SPECIFICATION



TOLERANCES: IN. = $\pm .030$ in
MM = ± 0.7 mm



NOT TO SCALE

NOMINAL TENSILE STRENGTH:	5/7 LBSF.
MATERIAL:	NYLON 6 - NATURAL
CLIP QUANTITY:	50
APPLICATION TOOL:	08945 STANDARD SCISSOR-GRIP MARK II HAND TOOL (CONTACT LOCAL SALES PERSON FOR INFORMATION ON POWERED EQUIPMENT)
PACKAGED IN:	5000/CTN, 50,000/CASE
T/F CONN PADDLES	YES



EVERY DENNISON

FASTENER DIVISION
FITCHBURG, MA 01420 U.S.A.
TEL. 1-800-225-5813
MA. 978-353-8157

DESCRIPTION:

1" (25mm) SWIFTACH[®], GP HOOKS

APPROVAL:

Ed A. 3-3-09

STOCK NO.

08903-2

REV
B